

ELATION/MONTEREY

Description:

Elation features a collection of drum shaped pendants with a laser cut metal perimeter in three different patterns with an inner white acrylic center shade. The outer shade is independently supported with (4) stainless steel aircraft cables that pitch diagonally to a center canopy. The inner shade is stem supported and functions as a wire way for the electronic components that illuminate each fixture. Laser pattern on photo to the right is our Monterey design.

Outer Shade:

Laser cut steel, welded in various lengths to form a continuous non-interrupted design.

Inner Shade:

White acrylic

Illumination:

Size A: 34 watts, 5834 system lumens at 4000k
 Size B: 68 watts, 11668 system lumens at 4000k
 Size C: 68 watts, 11668 system lumens at 4000K

Metal Finish:

BZ: Powdercoated bronze
 AS: Powdercoated anodized silver
 SB: Powdercoated sating black

Supports:

(4) stainless steel aircraft cables and nickel swivel hardware
 (1) center stem powdercoated to desired finish

Sizes Available:

ELA-30: 30" W x 10" H
 ELA-45: 45" W x 10" H
 ELA-60: 60" W x 10" H

Certification:

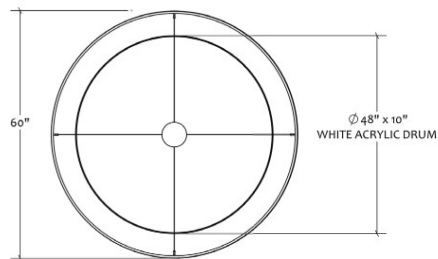
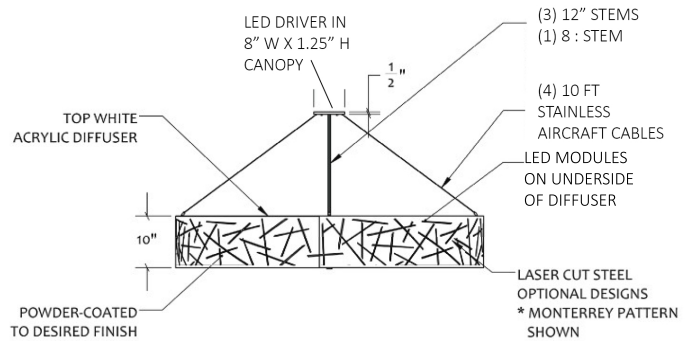
UL listed LED indoor

Warranty:

Electronic manufacturer's extended 5 year limited

Component replacement:

Field replaceable



ORDER KEY

Model	Size	Finish	Outer Perimeter	LED system	Color Temp
ELA	30	SB: Satin Black	Monterrey	LPPD1	3000
		BZ: Bronze	Carmel		3500
		AS: Anodized Silver	Cambria		4000
	45			LPPD1X2	
	60			LPPD1X2	