

JANUS

Description:

LED illumination ring pendent in combination of powder steel and white acrylic and available in three different sizes.

LED Modules:

Thermally cool, flexible sheeting runs on low amperage. This features a key factor in keeping the body of the fixture running at temperatures that enhances life expectancy of its electronics. Available color temperatures are 2700k, 3000k, 3500k, 4000k.

Metal:

Formed steel frame powder coated to desired finish.

Sizes:

JAN-A 36" - W x 2.75" H

JAN-B 48" - W x 2.75" H

JAN-C 60" - W x 2.75" H

System Lumens:

JAN-A - 3532

JAN-B - 4945

JAN-C - 6358

Cable Support:

SM: Side mounted aircraft cable to center canopy

TM: Top mounted running cables directly to ceiling

Finish:

AA: Powder coated anodized aluminium

BZ: Powder coated bronze

WHT: Powder coated bronze

BLK: Powder coated satin black

Drivers:

Drivers are all 120-277V input with 0-10 dimming

Driver Location:

CSF: Surface mounted in canopy

RM: Remotely located above ceiling

Component Replacement:

Field replacable

Supports:

Stainless steel 3/64" aircraft cables with nickel hardware.

Fabrication:

JANUS is a U.S. fabricated product

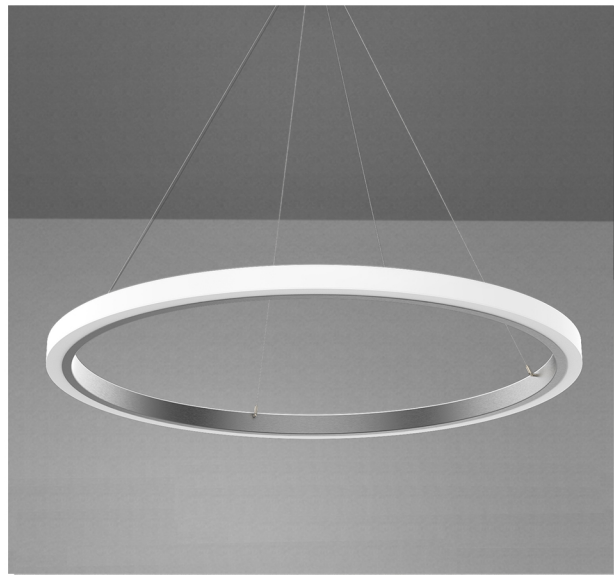
IES Files:

Available on request

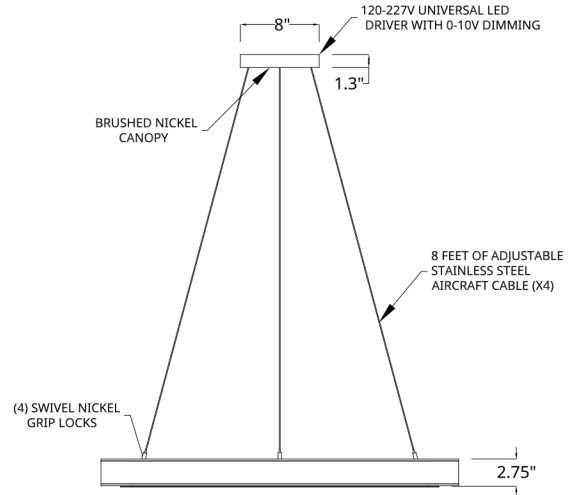
Certification:

UL listed LED indoor rated

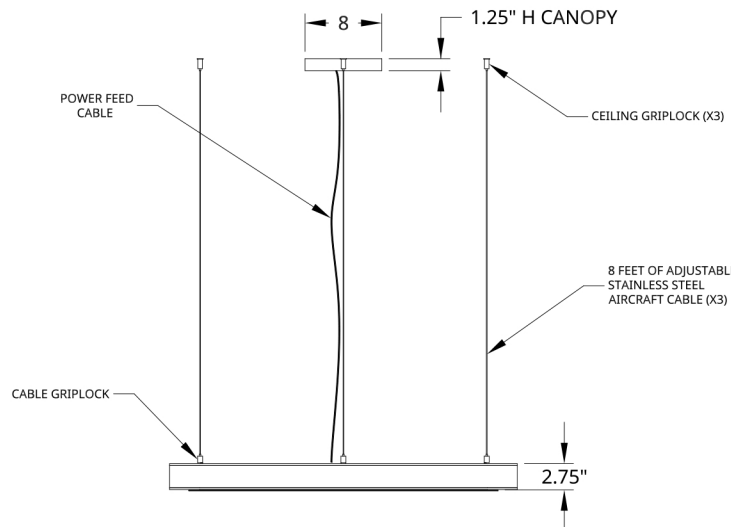
Waranty:



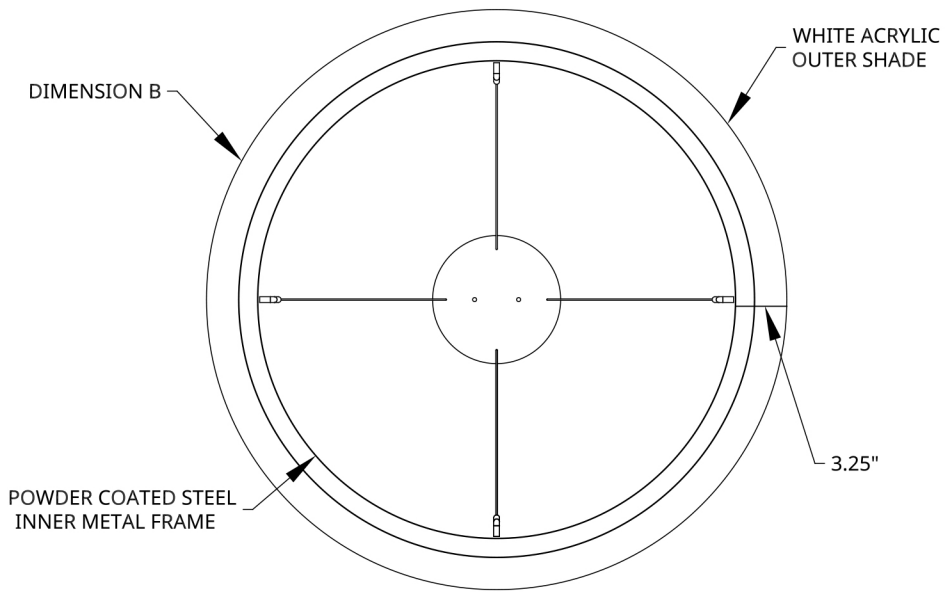
JAN-60-AA



SIDE MOUNT CONFIGURATION



TOP MOUNTED CONFIGURATION



TOP VIEW

Model	Width	Finish	Mounting	Driver	Color	Delivered	Wattage
					Temp	Lumens	
JAN	36"	AA	SM	CSF	3000	3300	36
JAN	48"	BZ	TM	RM	3500	4505	50
JAN	60"	BLK			4000	5714	63
		WHT					