

ZED-XSC-LINEAR

Description:

Suspended linear fixture with a simplistic unique design allowing for primarily down directional illumination. Similar in design to ZED-XS-LIN this fixtures adds a U shaped channel that rests on the top end of the fixture to focus light downward. This channel adds a decorative element in allowing for exposed lighting to emanate from both ends of the fixture, the bottom of the fixture and along the vertical bottom as shown in the cross section view

Available sizes:

ZED-XSC-A: 46" L x 1.6" x 1.6"
 ZED-XSC-B: 60" L x 1.6 x 1.6"

Driver location:

RM: Remotely located above ceiling
 CSF: In 8" W x 1.25" H surface mounted canopy.

Canopy and reflective channel finish:

Wht: Powder coated in gloss white
 BLK: Powder coated in satin black
 AS: Powder coated in silver finish
 SS: Satin stainless channel , satin nickel canopy

Driver:

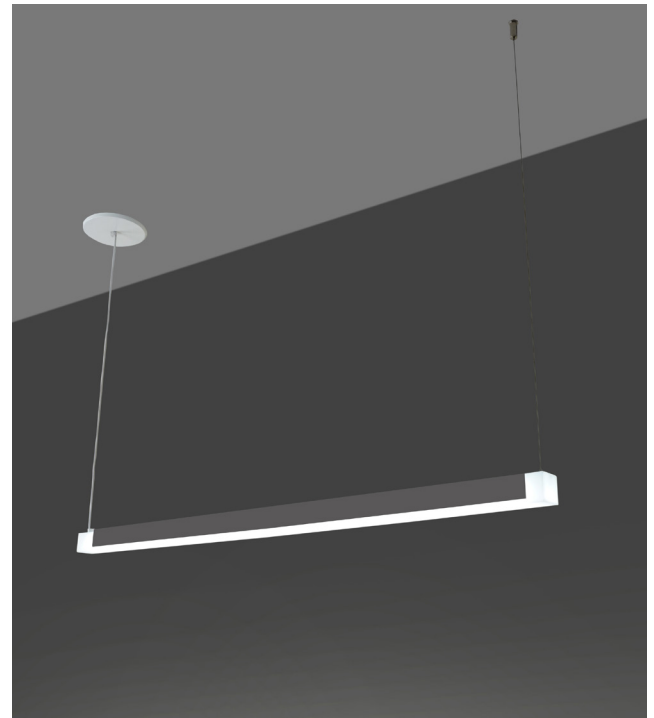
120-277 V input with 0-10 V dimming

Driver location:

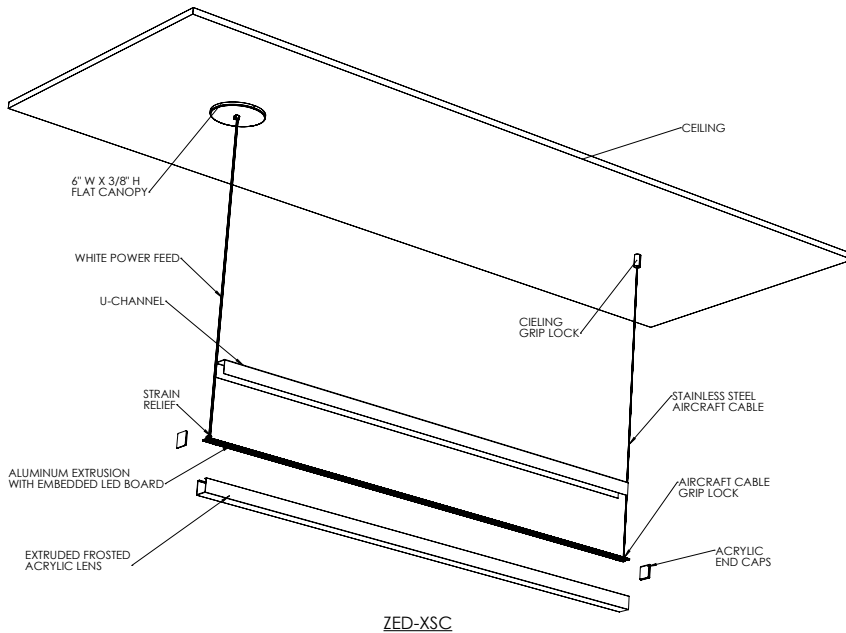
CSF: in 8 " W x 1.25" H surface mounted canopy
 RM: Remotely located in NEMA enclosure above ceiling

Illumination details:

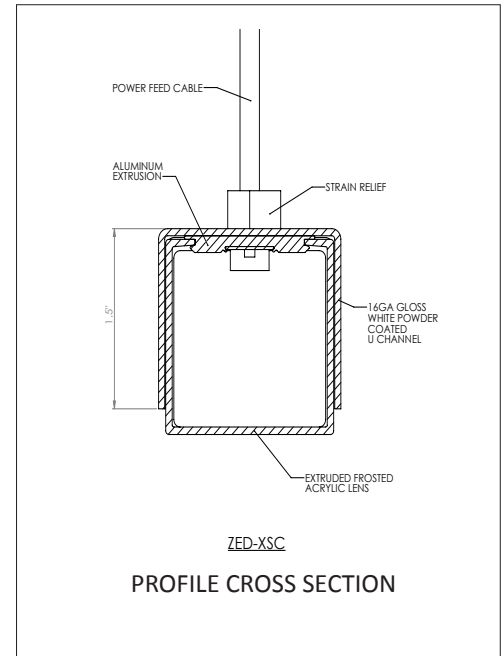
Model	Dimension	Delivered lm	Wattage	lm/ watt	lm/foot
ZED-XSC-LIN-A	46" L	3287	31	106	857
ZED-XSC- LIN-B	60" L	4338	41	106	877



ZED-XSC-A-AS-RM



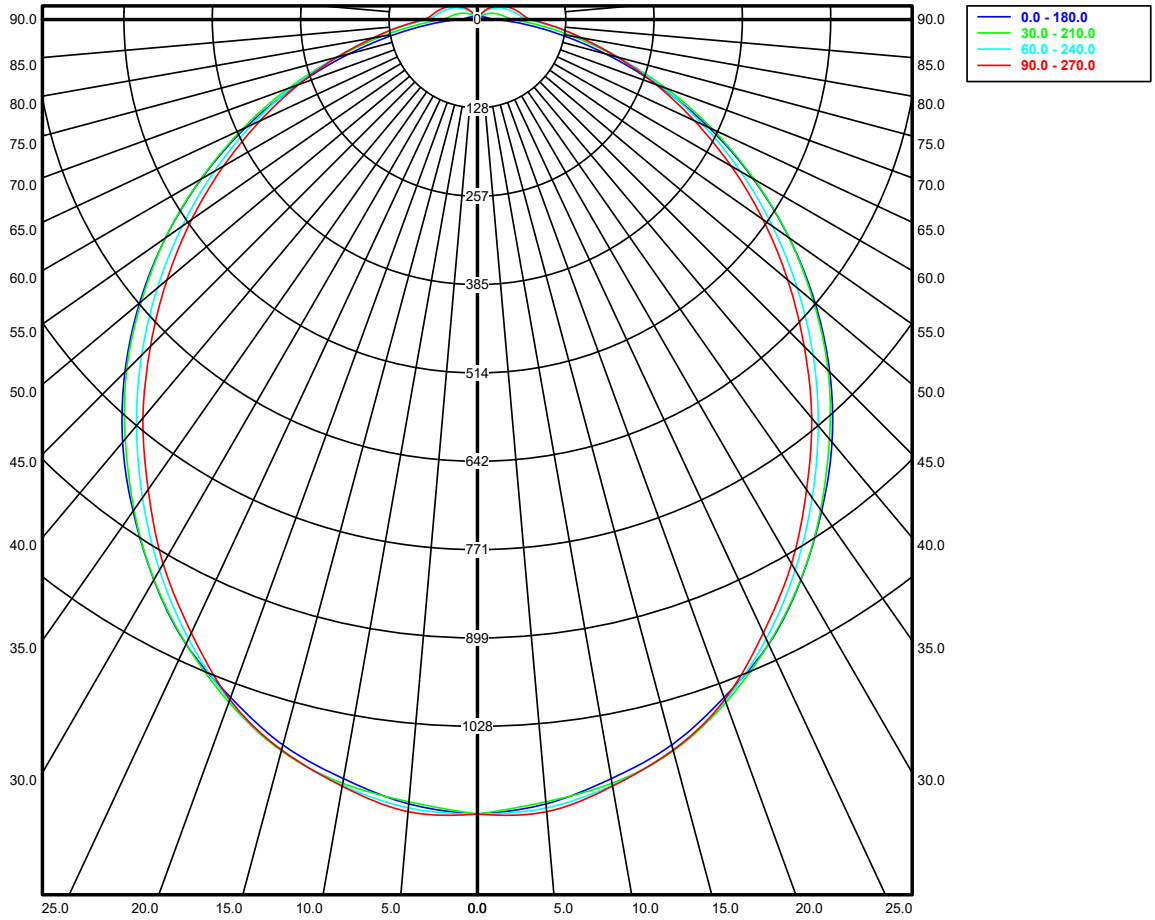
ZED-XSC



ZED-XSC
 PROFILE CROSS SECTION

ORDER KEY

Model	Size	Finish	Driver	LED	Color Temp	Wattage
ZED-XSC-LIN	A	SS	RM	LPPD12-800	3000	31
	B	BLK	CSF	LPPD12-1050	3500	41
		WHT			4000	
		AS				



ZED-XSC-LIN-A DISTRIBUTION PLOT