

GEO-SQUARE

Description:

LED illumination square pendant in combination of powder coated steel and white acrylic and available in three different sizes.

LED Modules:

Low profile LED modules on extruded aluminium substrate with superior thermal performance and high efficiency.

Metal:

Formed steel frame powder coated to desired finish.

Lens:

White acrylic mitered and bonded in square shape.

Driver:

Programable universal 120-211V input with 0-10V dimming.

Driver location:

CSF: Surface mounted in canopy

RM: Remotely mounted above ceiling in NEMA enclosure

Sizes:

GEO-SQUARE-A 26.5" x 26.5" x 2" H

GEO-SQUARE-B 48.5" x 48.5" x 2" H

GEO-SQUARE-C 62.5" x 62.5" x 2" H

Delivered lumens

GEO-SQUARE-A - 6985

6985GEO-SQUARE-B - 10540

GEO-SQUARE-C - 10540

Support Configuration

CS: Side mounted aircraft cable pitched to a center canopy

VS: Top mounted aircraft cable that connects to ceiling.

Cable Location:

(4) stainless steel cables located at inner corners of square.

Power Feed Cables:

Clear 2 wire cord fed to corner or corners of square along aircraft cable.

Finish:

AA: Powder coated anodized aluminium

BZ: Powder coated bronze

WHT: Powder coated bronze

BLK: Powder coated satin black

Component Replacement:

Field replacable.

Supports:

Stainless steel 3/64" aircraft cables with nickel hardware.

Fabrication:

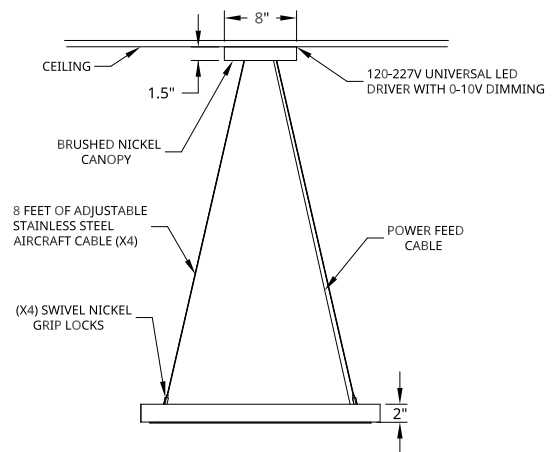
GEO is fabricated in the U.S.

IES Files:

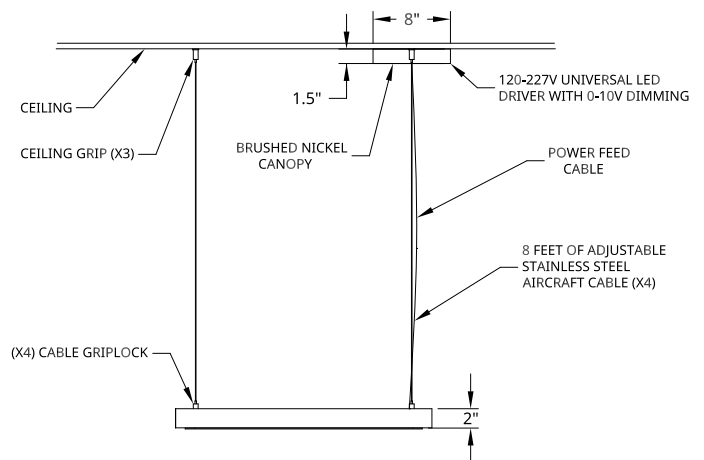
Available on request.



GEO-SQ-A-AA-CS



SIDE MOUNT CONFIGURATION



TOP MOUNTED CONFIGURATION

Model	LED	Metal	Mounting	Color Temp	Driver Location	Wattage
	System	Finish				
ZED-SQ-A	LPPD8X2	AA	CS	2700	CSF	48
ZED-SQ-B	LPPD9X2	BZ	VS	3000	RM	68
ZED-SQ-C	LPPD9X2	WHT		3500		68
		BLK		4000		