

KAPA-X

This aircraft cable suspended pendant features a concave acrylic lens interlocked with a spun aluminum housing, designed for direct only illumination. Available in four various sizes and powder coated in either a single tone or two tone finish. Two tone finishes add an additional color accents and allows for greater color control from the reflective surface around the acrylic lens. Drivers are either surface mounted in 8" W x 1.25" H canopies or located remotely over a 6" W x 3/8" H canopy.

Supports:

(3) 8 foot long stainless steel aircraft cables per fixture and nickel plated swivel connectors.

Sizes:

- Kapa-XA: 24" W x 6" H
- Kapa-XB: 30" W x 6 "H
- Kapa XC: 36" W x 7" H
- Kapa XD: 42" W x 7" H

Delivered lumens

- Kapa-XA and Kapa XB: 3925 lm
- Kapa XC and Kapa XD: 8550 lm

Driver location:

- CSF: In surface mounted canopy
- RM: Remotely located in NEMA enclosure

Drivers:

120-277V input , 0-10 V dimming

Component replacement:

Field replaceable

Fabrication:

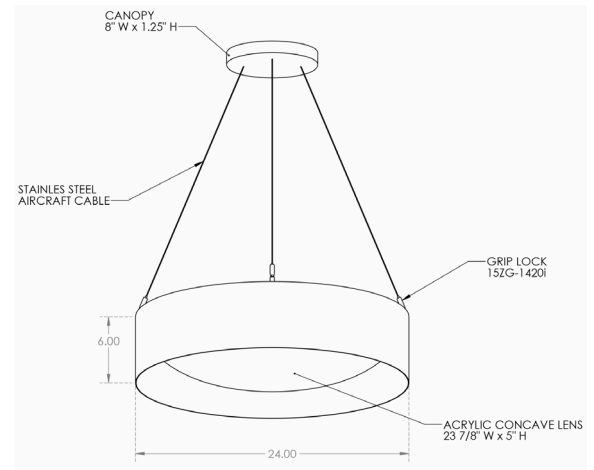
Kapa-X is fabricated in the U.S.

Listing:

UL listed for indoor use



Kapa-XA-BZ-YL02-CSF



KAPA-XA

STANDARD POWDER COATED FINISHES



ORDER KEY

Model	Outside Metal	Inside Metal	LED System	Driver Location	Driver Location	Wattage
	Finish	Finish				
KAPA-A	Specify	Specify	LPPD1	CSF	3000	34
KAPA-B			LPPD1	RM	3500	34
KAPA-C			LPPD1X2		4000	68
KAPA-D			LPPD1X2			68