

# GEO-HEX

## Description:

LED illumination hexagon pendant in combination of powder steel and white acrylic

## Dimension:

50" across by 2" H

## LED Modules:

Low profile LED modules on extruded aluminum substrate with superior thermal performance and high efficacy

## Metal:

Formed steel powder coated to desired finish

## Lens:

White acrylic mitered and bonded in hexagon shape

## Driver:

Programable universal 120-277 V input with 0-10 V dimming

## Driver location:

CSF: Surface mounted in canopy

RM: Remotely mounted above ceiling in NEMA enclosure

## Delivered lumens

10368 lumens

## Support Configuration:

SM: Side mounted aircraft cable pitched to a center canopy

TM: Top mounted aircraft cable that connect to the ceiling

## Cable Location:

(3) stainless cables located at alternating angles of the hexagon

## Power Feed cables:

Two 10 ft clear cords

## Finish:

AA: Powder coated anodized aluminium

BZ: Powder coated bronze

WHT: Powder coated bronze

BLK: Powder coated satin black

## Component Replacement:

Field replacable

## Supports:

Stainless steel 3/64" aircraft cables with nickel hardware.

## Fabrication:

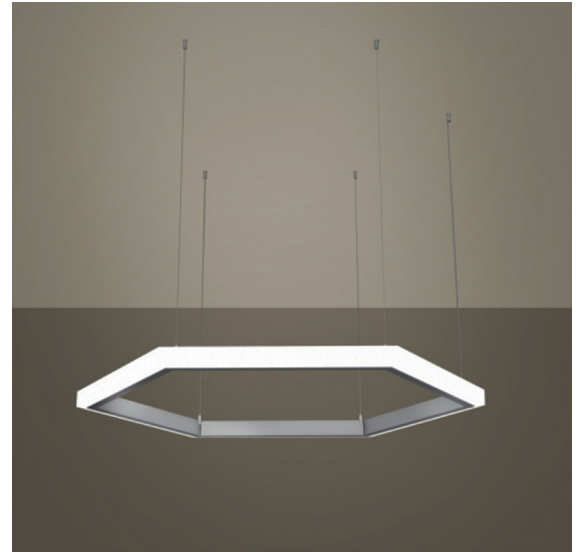
Geo is fabricated in the U.S

## IES Files:

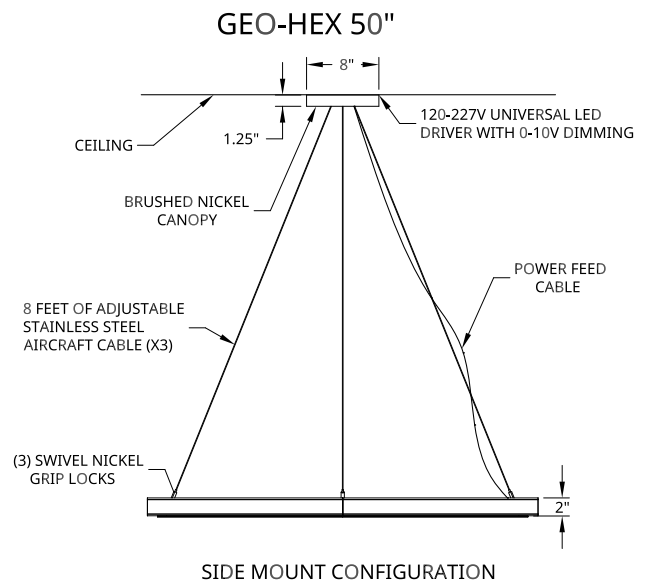
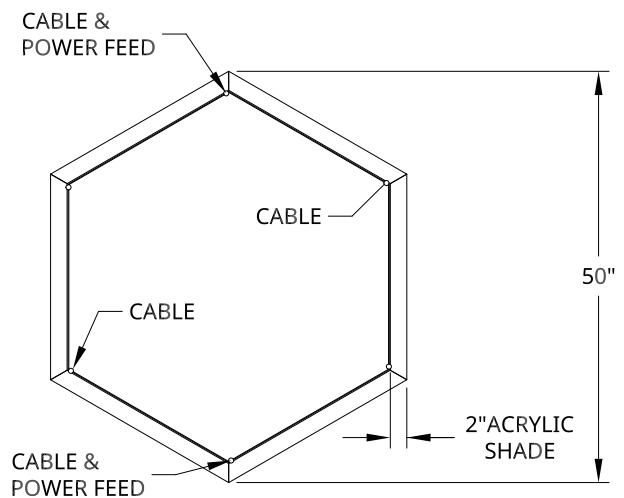
Available on request

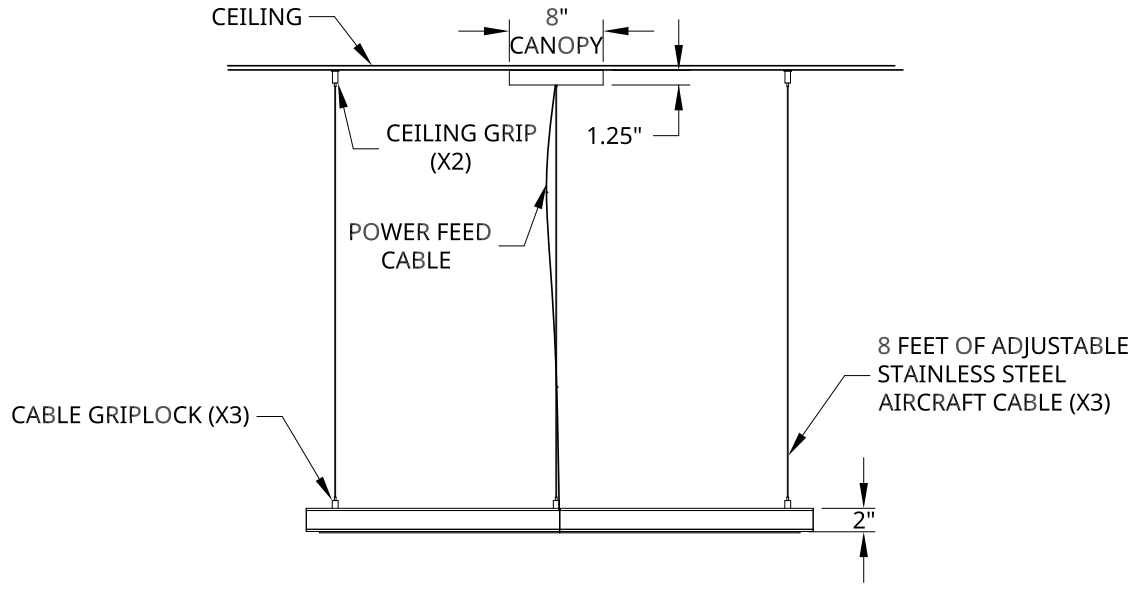
## Waranty:

Electronic manufacturer's warranty is 5 year limited

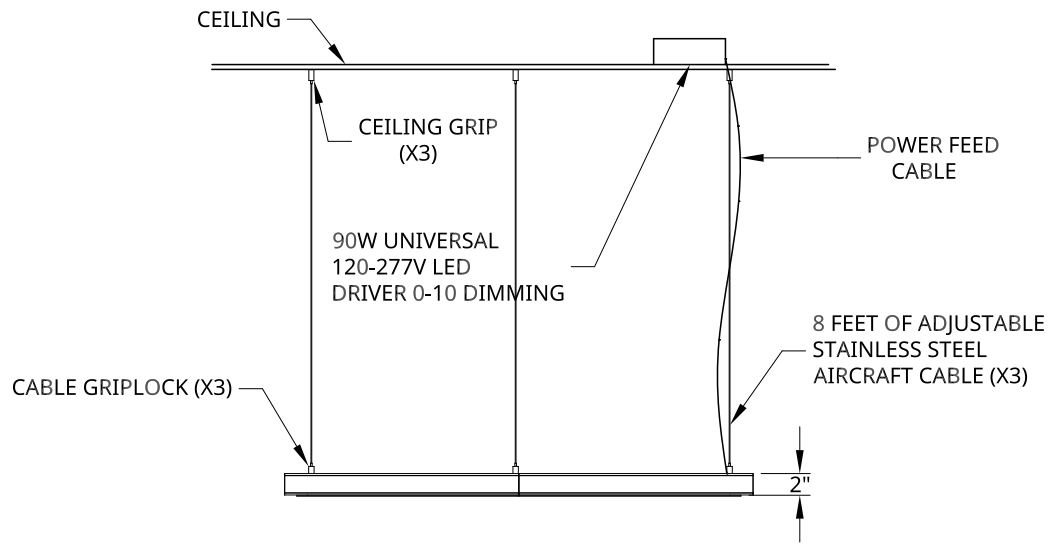


## GEO-HEX-AA-TM-RM-





TOP MOUNT CONFIGURATION



REMOTE DRIVER CONFIGURATION

Model	LED System	Finish	Mounting	Color Temp	Driver Location	Wattage
GEO-HEX	LPPD7X2	AA	SM	2700	CSF	59
		BZ	TM	3000	RM	
		WHT		3500		
		BLK		4000		