

ZED-X-SQUARE

Description:

Surface mounted linear fixture in square configuration featuring a 1.5” W by 1.5” H acrylic lens. ZED-X-SQ is fabricated in modular sections to be assembled with ease on location. To install the fixture, the installer places and secures the first linear LED module in its specified location with our supplied hardware, then used a laser cut guide to identify the exact angle and spacing for the next module until all modules are secured to the ceiling, and interconnected to their remote driver. The installer then snaps our extruded lenses one each module. The illuminated product show no metallic components and minimal cool spots at joining angles. Optional metal corner brackets are available to cover corner joints. All ZED-X products require a hard ceiling and the ability to locate the drivers remotely.

Available sizes:

- ZED-X-SQ-A: 25” square by 1.5” H
- ZED-X-SQ-B: 47” square by 1.5” H
- ZED-X-SQ-C: 61” square by 1.5” H

Illumination details:

Model	Dimension	Delivered lm	Wattage	lm/ watt	lm/foot
ZED-X-SQ-A	25"	5571	36	156	696
ZED-X-SQ-B	47"	11130	68	164	695
ZED-X-SQ-C	61"	14394	90	160	719

Corner bracket finish:

- BS: Brushed stainless steel
- WHT: Painted white finish
- BLK: Painted satin black
- SIL: Painted in satin silver finish

Lenses:

Extruded white textured acrylic

LED modules:

80 or 90 CRI available in 3000, 3500, and 4000K each set on its own aluminum substrate channel able to be directly mounted to the wall or ceiling.

Driver:

120-277 V universal input with 0-10 V dimming

Driver location:

In NEMA enclosure in remote location

Fabrication:

ZED-X-SQ is fabricated in the U.S.

Listing:

U.L. listed LED indoor

Electronic Warranty:

Electronic manufacturer’s extended limited 5 year

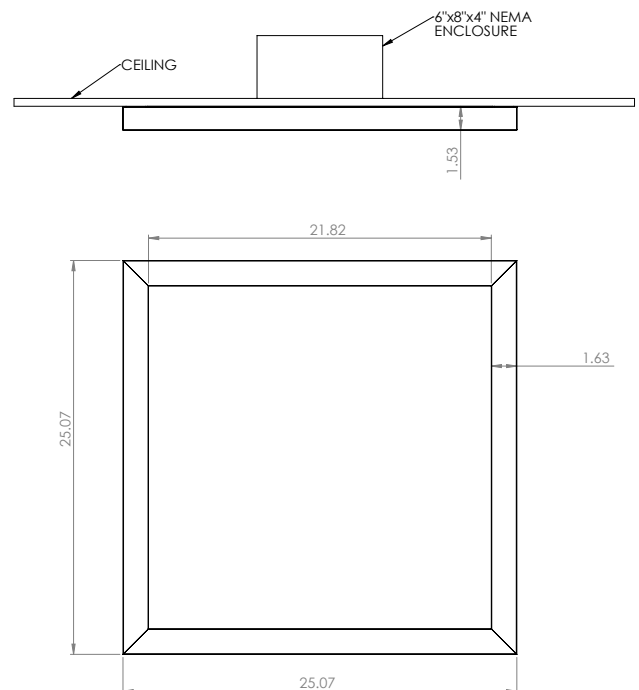
IES files:

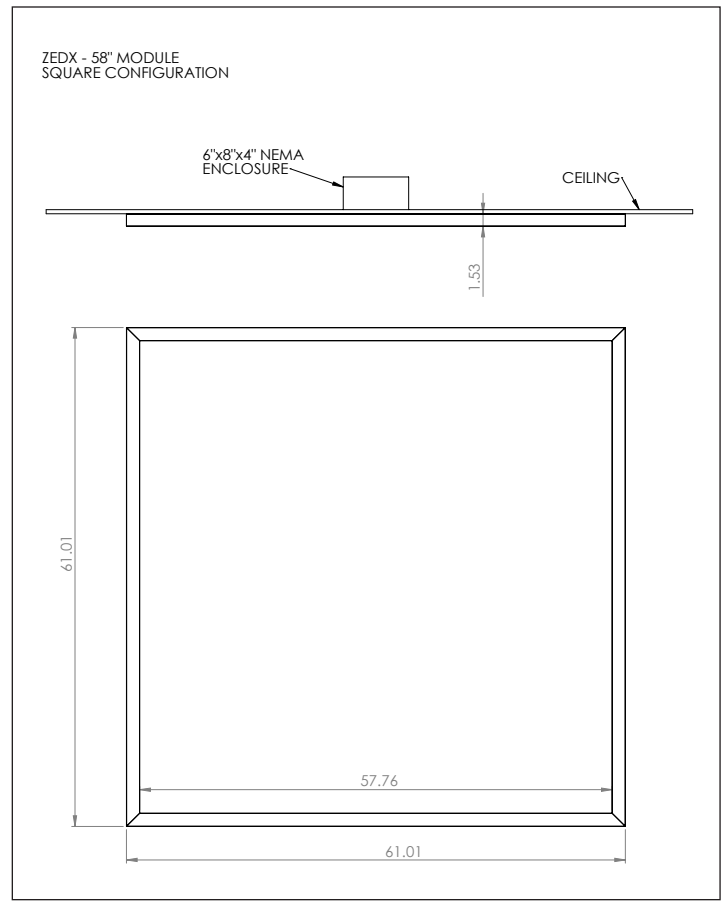
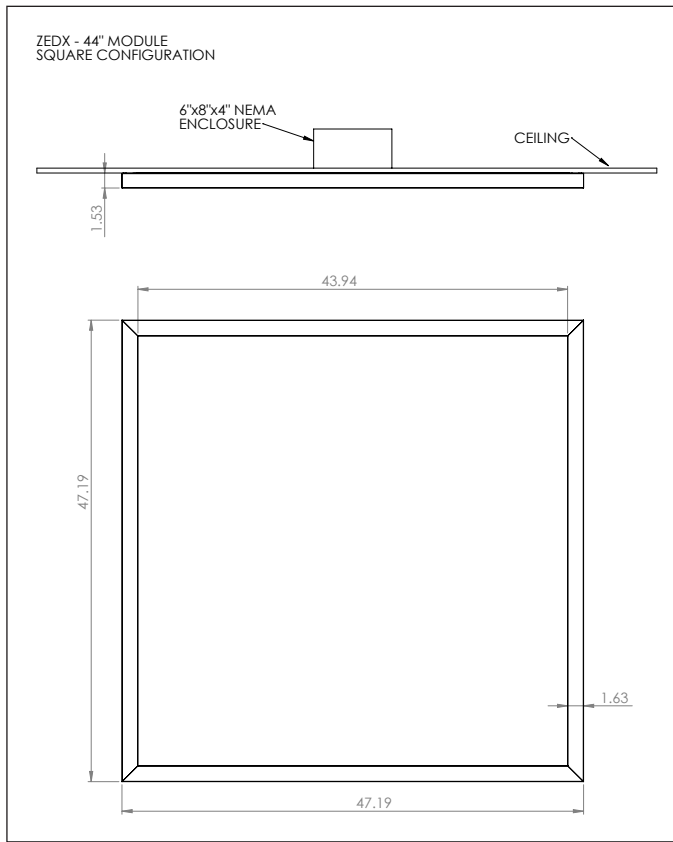
Available on request



ZED-X-SQ-A

ZEDX - 22" MODULE SQUARE CONFIGURATION





ORDER KEY

Model	Size	LED System	Corner Bracket	Color Temp	Wattage
ZED-X-SQ	A	LPPD8X2-1000	CB-BS	3000	36
	B	LPPD9X2-2000	CB-WHT	3500	68
	C	LPPD9X2-2600	CB-BLK	4000	90
			CB-SIL		